

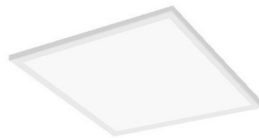
## HYGILIGHT (general use)

### M600 Led Panel Recessed (LPRE600)



- The LED fixtures are equipped with very high-quality LED modules and driver
- Color temperature: 4000K
- Designed for flush-mounting installation in M600 modules
- IP Rating: IP20 or IP65

Body	
mounting	recessed M600
material	aluminum
diffuser	opal (PMMA)
dimension (L x W x H)	595 x 595 x 10 mm
weight	3,9 Kg



Optional: - Ceiling mount  
- Suspension kit

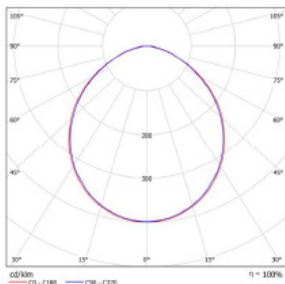
Properties	
power	30 Watt
Lumen	3750 Lm
Lumen eff.	> 120 lm/W
CRI	> 80
power factor	> 0,95
lifespan	50.000 (L80B20)
warranty	5 year*
light spread	symmetrical
color temperature	4000 K
IP rating bottom part	IP40, optional IP65
IP rating top part	IP20, optional IP65
color deviation	3 SDCM

### Led DownLight Recessed (LDRE)



- The LED fixtures are equipped with very high-quality LED modules
- Color temperature: 4000K
- IP Rating: IP44

Type	Power (Watt)	Lumen (Lm)	Dimension (mm)	Weight (Kg)
LDRE115	10	1000	73 x Ø95	0,3
LDRE175	14	1400	79 x Ø150	0,4
LDRE245	20	2000	95 x Ø200	0,5



Body	
mounting	recessed
material	aluminum
diffuser	opal polycarbonate

Properties	
Lumen eff.	> 80 lm/W
CRI	> 80
power factor	> 0,95
lifespan	50.000 (L80B20)
warranty	5 year*
light spread	90°
color temperature	4000 K
IP rating bottom part	IP21
IP rating top part	IP21
color deviation	4 SDCM

## Waterproof Surface-mounted LED (WDSM)



- The LED fixtures are equipped with very high-quality LED modules
- Safe splash-proof fixture
- Suitable for ceiling mounting
- IP Rating: IP66

Type	Power (Watt)	Lumen (Lm)	Dimension (LXWXH mm)	Weight (Kg)
WDSM18	18	2600	1272 x 700 x 11	1,9
WDSM22	22	3200	1272 x 700 x 11	1,9
WDSM30	30	4400	1272 x 700 x 11	1,9
WDSM43	43	6400	1272 x 700 x 11	1,9

Body	
mounting	surface-mounted
material	polycarbonate
optical:	white steel reflector
diffuser	translucent polycar

Properties	
Lumen eff.	> 128 lm/W
CRI	> 80
power factor	> 0,95
lifespan	50.000 (L80B20)
warranty	5 year*
light spread	symmetrical
color temperature	4000 K
IP rating bottom part	IP66
IP rating top part	IP66
impact resistance	IK10
color deviation	3 SDCM

Color Rendering Index (CRI) is the measurement of how colors look under a light source when compared with sunlight. The index is measured from 0-100, with a perfect 100 indicating that colors under the light source appear the same as they would under natural sunlight.

\* The warranty is standard 5 year on the fixture. When the lights are used as an emergency light the warranty is maximum 1 year on the batteries.

## HYGILIGHT (clean room)

### Led Panel Clean Room Recessed 3 x 2200 Lm (CRRE6600)



Recessed luminaire specifically designed for 'walk on ceilings' or areas where maintenance access is required from above. The specific design of this lighting fixture allows maintenance from above reducing the risk of contamination to the controlled area below to a strict minimum and without disturbance of the activities in those areas.

**Body and frame:**

Zinc coated CRCA sheet steel finished in epoxy polyester powder coated of 70-80 micron thickness. Tempered glazing.

**Standard colours:** RAL 9002 - 9010

**Connector:** Electrical connection by means of 3 way push fit connector.

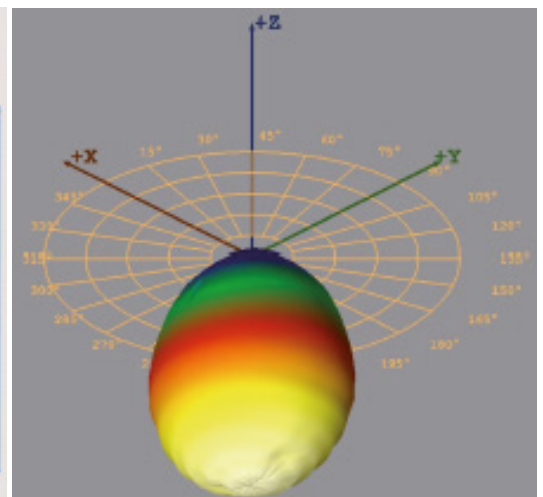
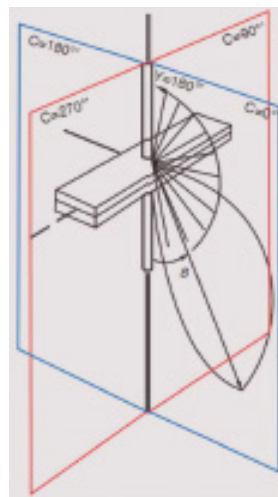
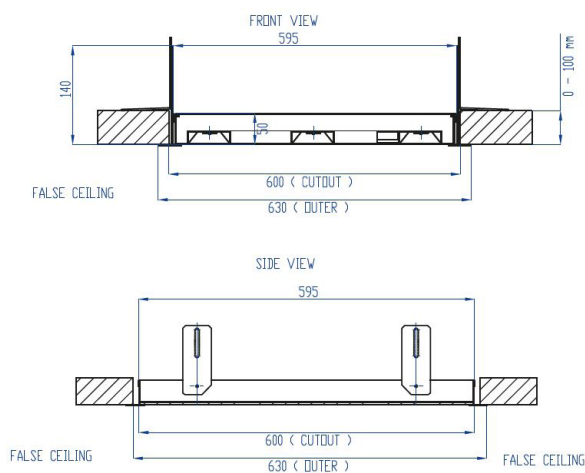
**LED:**

OSRAM PrevaLED® Linear Slim - 4000 K, Lifetime >50000 Hr  
Output 139lm/W

**Voltage:** 230 Volts AC - other voltages upon request

**IP-rating:** IP 65 (bottom) / IP 54

**Garantee:** OSRAM 5 year warranty



**Options:**

1. Dimmable
2. Integrated emergency pack (1-3 hrs)
3. 1300 lm ledstrips
4. different colour temperature (K)

## Led Panel Clean Room Recessed 4 x 2200 Lm (CRRE4400)



Recessed luminaire specifically designed for 'walk on ceilings' or areas where maintenance access is required from above. The specific design of this lighting fixture allows maintenance from above reducing the risk of contamination to the controlled area below to a strict minimum and without disturbance of the activities in those areas.

### Body and frame:

Zinc coated CRCA sheet steel finished in epoxy polyester powder coated of 70-80 micron thickness. Tempered glazing.

**Standard colours:** RAL 9002 - 9010

**Connector:** Electrical connection by means of 3 way push fit connector.

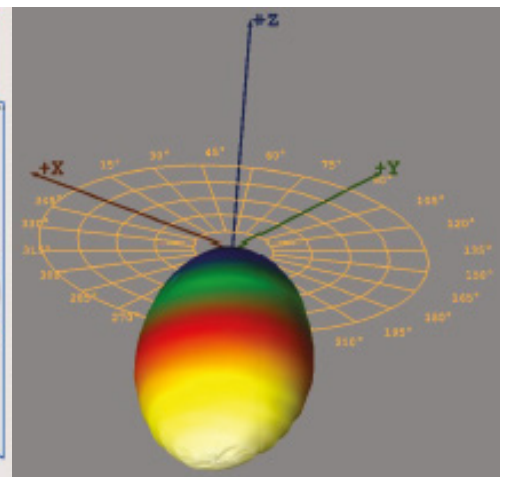
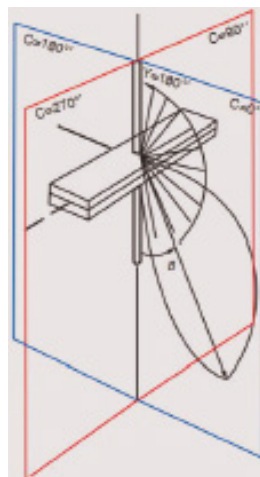
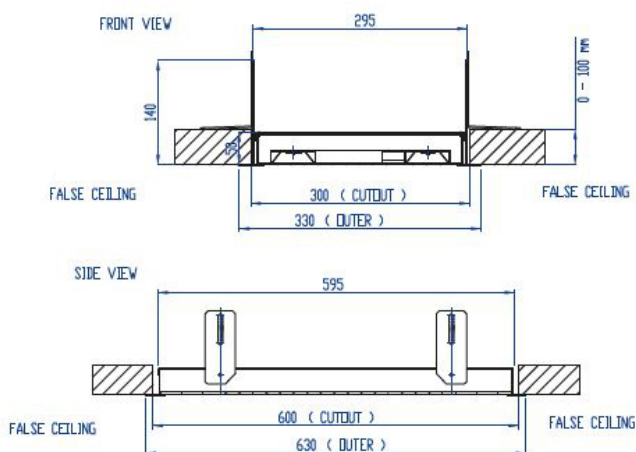
### LED:

OSRAM PrevaLED® Linear Slim - 4000 K, Lifetime >50000 Hr  
Output 165lm/W

**Voltage:** 230 Volts AC - other voltages upon request

**IP-rating:** IP 65 (bottom) / IP 54

**Garantee:** OSRAM 5 year warranty



### Options:

1. Dimmable
2. Integrated emergency pack (1-3 hrs)
3. 1300 lm ledstrips
4. 1 x 2200 lm ledstrip integrated
5. different colour temperature (K)

## Led Panel Clean Room Surface-mounted 2 x 2200 Lm (CRSM4400)



Surface mounted luminaire specifically designed for controlled areas. The specific design of this lighting fixture with half convex-shaped profile is only 28 mm high, standard with integrated driver. Non visible fixing onto ceiling. The joint frame-ceiling can easily be siliconed. Allows easy cleaning. Tempered glazing.

### Body and frame:

Aluminium extruded profile/plate, backplate zinc coated CRCA steel sheet, finished in epoxy poly-ester powder coated of 70-80 micron thickness.

**Standard colour:** white

**Connector:** 3 way push fit connector

### LED:

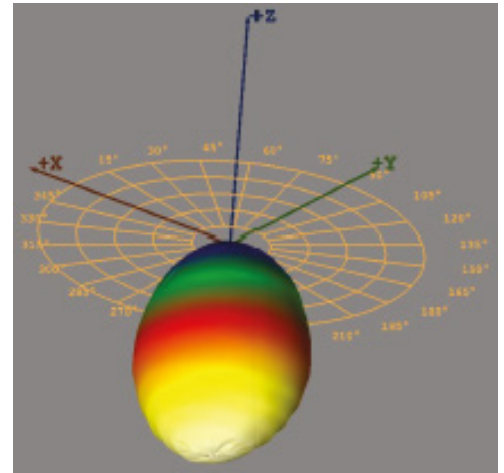
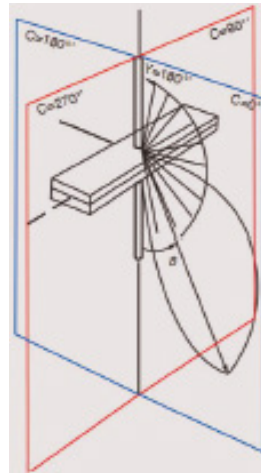
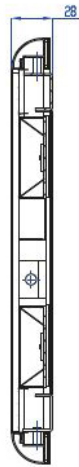
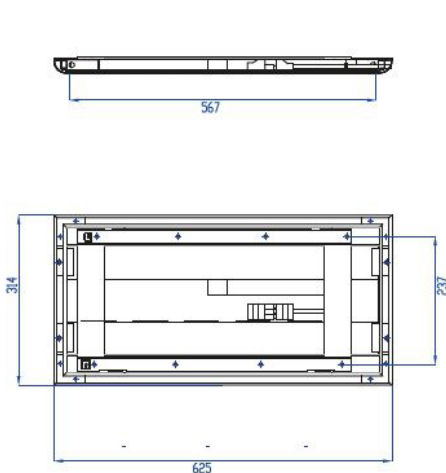
OSRAM PrevaLED® Linear Slim - 4000 K, Lifetime >50000 Hr  
Output 137lm/W

**Voltage:** 230 Volts AC - other voltages upon request

**IP-rating:** IP 65 (bottom)

**Garantee:** OSRAM 5 year warranty

**Weight:** 4.35 Kg



### Options:

1. Dimmable
2. Integrated emergency pack (1-3 hrs)
3. 1300 lm ledstrips
4. 1 x 2200 lm ledstrip integrated
5. different colour temperature (K)
6. Separate box driver/emergency pack

## LED Strips IP68

These LED strips are completely covered with a 1,5-2mm silicone coating, making them completely waterproof. This type of LED strip can be used anywhere in outdoor applications such as gardens, exteriors of buildings and damp areas.



### Technical Data

60 LED/meter  
24 VDC  
14.4 W/meter  
IP68  
1010 Lm/meter  
CRI90  
4000K or 6000K  
Strips of 5 meter, option to cut every 10 cm  
Illumination angle: 120°  
Expected lifecycle: > 70,000 uur  
distance between 2 lines approx. 1.2m

## Power supply

### Technical Data



Universal AC input / Full range  
Built-in active PFC function  
Protections: Short circuit / Over current / Over voltage / Over temperature  
Cooling by free air convection  
OCP point adjustable through output cable or internal potentiometer  
Suitable for dry / damp / wet locations  
IP65

Voltage range: 90 ~ 264VAC / 127 ~ 370VDC

DC Voltage: 24V

Rated current: 4A

Rated power: 100W

Efficiency: 93,5% (Typ.)

Operating temp.: -40°C ~ +60°C; +70°C at 60% load

Safety standards: UL8750, EN61347-1, EN61347-2-13 independent IP65 or IP67 approved ; Design refer to UL60950-1, TUV EN60950-1

EMC emission: Compliance to EN55015, EN55022 (CISPR22) Class B, EN61000-3-2 Class C ( 60% load) ; EN61000-3-3

EMC immunity: Compliance to EN61000-4-2,3,4,5,6,8,11; ENV50204, EN61547, EN55024, heavy industry level (surge 4KV), criteria A

1 power supply/strip

